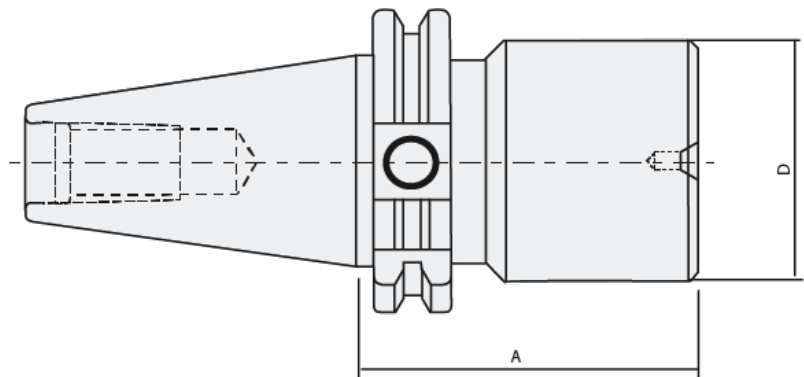


Boring Bar Blanks



Taper Size	Specification	D (mm)	A (mm)	Coolant Supply	N/W (Kg)
SK 40	BBB-SK40-063-250	63	250	Form "AD/B"	6.5
	BBB-SK40-080-250	63	250	Form "AD/B"	6.5
SK 50	BBB-SK50-080-250	63.5	250	Form "AD/B"	9.1
	BBB-SK50-100-300	63.5	300	Form "AD/B"	9.5

- Includes : Steep taper and flange hardened, body left soft.
- Special GPL Holders offered on request