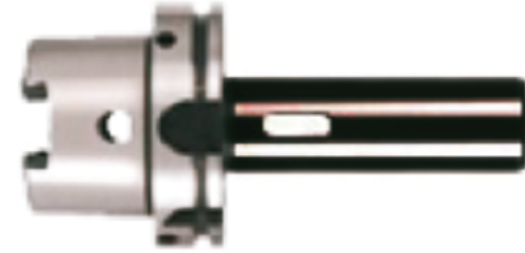
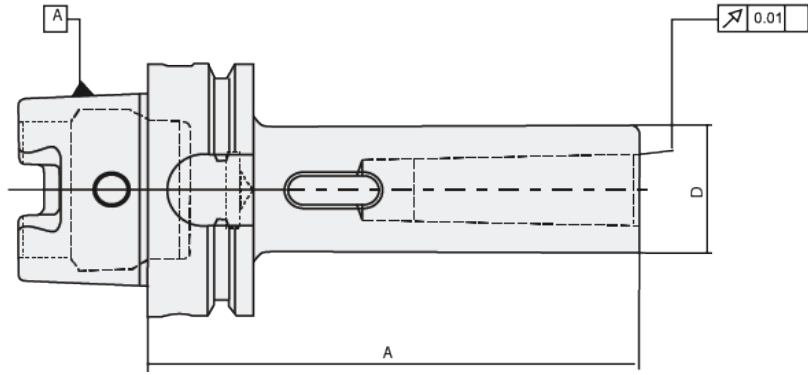


Morse Taper Holder with Tang DIN 6383



Fine balanced holders

Balanced for G6.3 @ 8,000 rpm

Taper Size	Specification	d	A	Kg
HSK- A50	MTH - HSK - A50 - MT1 - 100	MT1	100	0.6
	MTH - HSK - A50 - MT2 - 120	MT2	120	0.9
	MTH - HSK - A50 - MT3 - 140	MT3	140	1.2
HSK-A63	MTH - HSK - A63 - MT1 - 100	MT1	100	0.9
	MTH - HSK - A63 - MT2 - 120	MT2	120	1.1
	MTH - HSK - A63 - MT3 - 140	MT3	140	1.5
	MTH - HSK - A63 - MT4 - 160	MT4	160	1.9
HSK-A100	MTH - HSK - A100 - MT1 - 110	MT1	110	2.2
	MTH - HSK - A100 - MT2 - 120	MT2	120	2.4
	MTH - HSK - A100 - MT3 - 150	MT3	150	2.9
	MTH - HSK - A100 - MT4 - 170	MT4	170	3.3
	MTH - HSK - A100 - MT5 - 200	MT5	200	4.5

• G2.5 @ 15,000 rpm on request