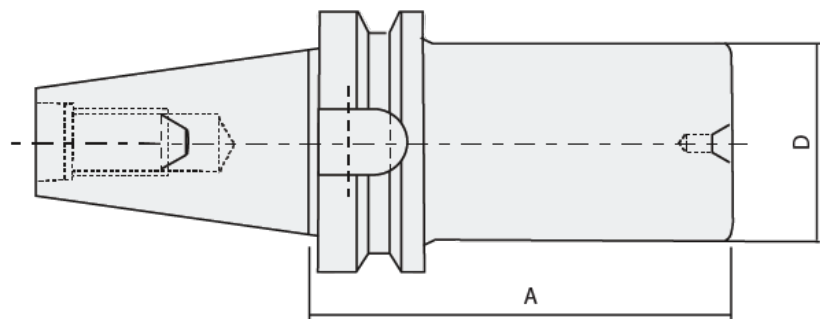


Boring Bar Blanks



Taper Size	Specification	D	A	Coolant Supply	Kg
BT 40	BBB-BT40-063-250	63	250	Form "AD/B"	6.5
	BBB-BT40-080-250	80	250	Form "AD/B"	6.5
BT 50	BBB-BT50-080-250	80	250	Form "A"	10
	BBB-BT50-100-300	100	300	Form "A"	10

- Includes : Steep taper and flange hardened, body left soft.
- Special GPL Holders offered on request