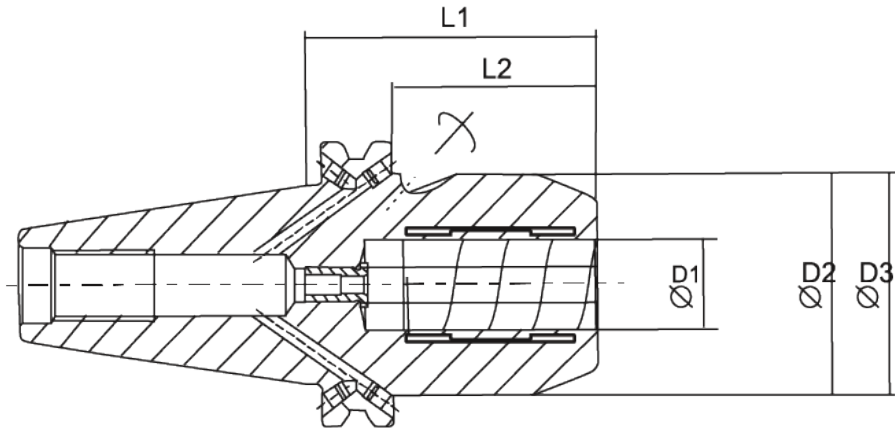


# Hydro Grip SK 40



- Run-out accuracy < 0.003 at 2.5 x D
- Balanced for G6.3 @ 15,000 rpm

Specification	D1	D2	D3	L1	L2
HG-SK40-06-80.5	6.0	26.0	49.5	80.5	61.5
HG-SK40-08-80.5	8.0	28.0	49.5	80.5	61.5
HG-SK40-10-80.5	10.0	30.0	49.5	80.5	61.5
HG-SK40-12-80.5	12.0	32.0	49.5	80.5	61.5
HG-SK40-16-80.5	16.0	38.0	49.5	80.5	61.5
HG-SK40-20-80.5	20.0	42.0	49.5	80.5	61.5
HG-SK40-25-80.5	25.0	55.0	66.0	80.5	61.5
HG-SK40-32-80.5	32.0	63.0	80.0	80.5	61.5

Can be clamped with intermediate sleeves  
 Different sizes Offered on request