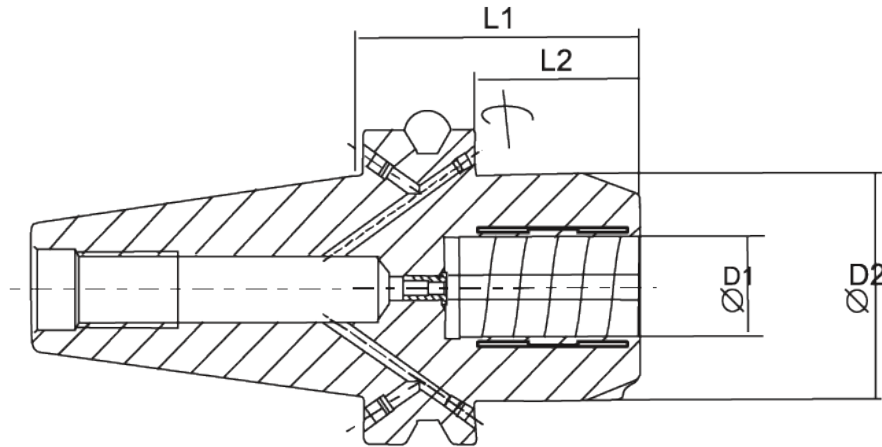


Hydro Grip JIS-BT 50



- Run-out accuracy < 0.003 at $2.5 \times D$
- Balanced for G6.3 @ 15,000 rpm

Specification	D1	D2	L1	L2
HG-BT50-12-69	12.0	42.0	69.0	31.0
HG-BT50-20-83.5	20.0	49.25	83.5	45.5
HG-BT50-32-90	32.0	72.0	90.0	52.0

Can be clamped with intermediate sleeves
 Different sizes Offered on request