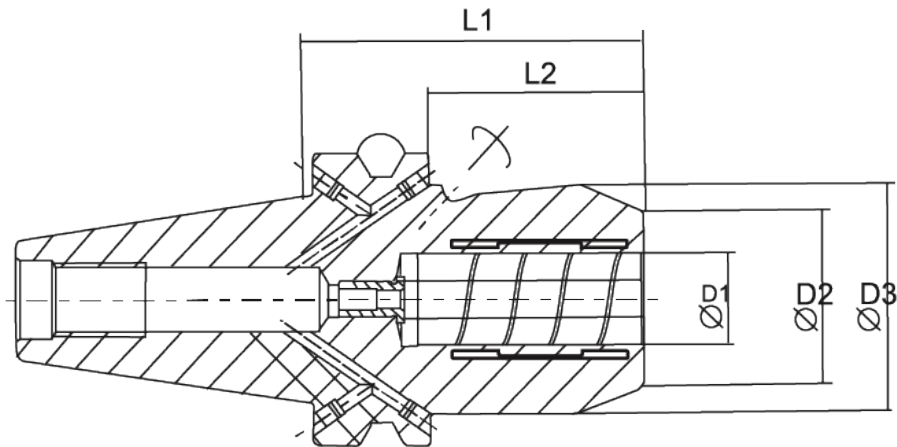


Hydro Grip JIS-BT 40



- Run-out accuracy < 0.003 at $2.5 \times D$
- Balanced for G6.3 @ 15,000 rpm

Specification	D1	D2	D3	L1	L2
HG-BT40-06-90	6.0	26.0	44.5	90.0	63.0
HG-BT40-08-90	8.0	28.0	44.5	90.0	20.0
HG-BT40-10-90	10.0	30.0	44.5	90.0	25.5
HG-BT40-12-90	12.0	32.0	44.5	90.0	30.5
HG-BT40-16-90	16.0	38.0	44.5	90.0	35.0
HG-BT40-20-90	20.0	42.0	44.5	90.0	37.8
HG-BT40-32-83	32.0	63.0	80.0	83.0	47.0

Can be clamped with intermediate sleeves
 Different sizes Offered on request