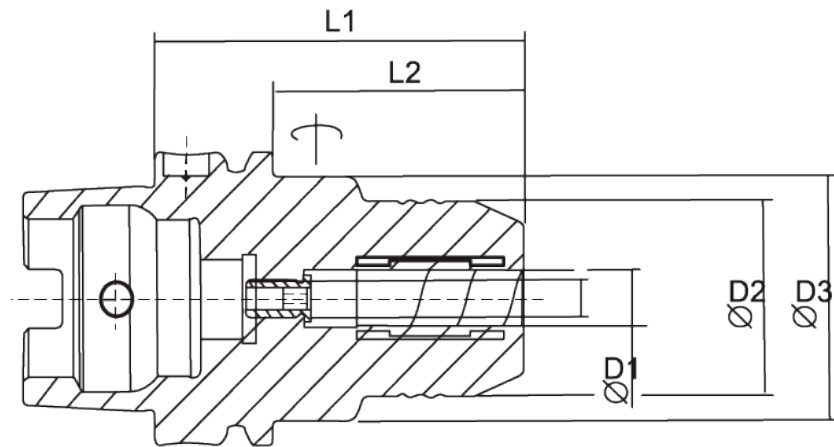


# Hydro Grip HSK A63



- Run-out accuracy  $< 0.003$  at  $2.5 \times D$
- Balanced for G6.3 @ 15,000 rpm

Specification	D1	D2	D3	L1	L2
HG-HSK-A63-06-70	6.0	26.0	50.0	70.0	44.0
HG-HSK-A63-08-70	8.0	28.0	50.0	70.0	44.0
HG-HSK-A63-10-80	10.0	30.0	50.0	80.0	54.0
HG-HSK-A63-12-85	12.0	32.0	50.0	85.0	59.0
HG-HSK-A63-14-85	14.0	34.0	50.0	85.0	59.0
HG-HSK-A63-16-90	16.0	38.0	50.0	90.0	64.0
HG-HSK-A63-18-90	18.0	40.0	50.0	90.0	64.0
HG-HSK-A63-20-90	20.0	42.0	50.0	90.0	64.0
HG-HSK-A63-25-120	25.0	57.0	63.0	120.0	94.0
HG-HSK-A63-32-125	32.0	64.0	75.0	125.0	99.0

Can be clamped with intermediate sleeves  
 Different sizes Offered on request