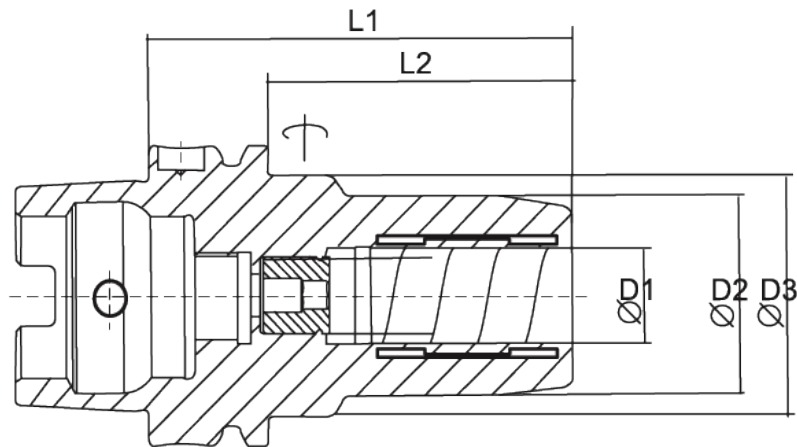


Hydro Grip HSK A100



- Run-out accuracy < 0.003 at $2.5 \times D$
- Balanced for G6.3 @ 15,000 rpm

| Specification | D1 | D2 | D3 | L1 | L2 |
|--------------------|------|------|------|-------|------|
| HG-HSK-A100-06-75 | 6.0 | 26.0 | 50.0 | 75.0 | 46.0 |
| HG-HSK-A100-08-75 | 8.0 | 28.0 | 50.0 | 75.0 | 46.0 |
| HG-HSK-A100-10-90 | 10.0 | 30.0 | 50.0 | 90.0 | 61.0 |
| HG-HSK-A100-12-95 | 12.0 | 32.0 | 50.0 | 95.0 | 66.0 |
| HG-HSK-A100-14-95 | 14.0 | 34.0 | 50.0 | 95.0 | 66.0 |
| HG-HSK-A100-16-100 | 16.0 | 38.0 | 50.0 | 100.0 | 71.0 |
| HG-HSK-A100-18-100 | 18.0 | 40.0 | 50.0 | 100.0 | 71.0 |
| HG-HSK-A100-20-105 | 20.0 | 42.0 | 50.0 | 105.0 | 76.0 |
| HG-HSK-A100-25-110 | 25.0 | 57.0 | 63.0 | 110.0 | 81.0 |
| HG-HSK-A100-32-110 | 32.0 | 64.0 | 75.0 | 110.0 | 81.0 |

Can be clamped with intermediate sleeves
 Different sizes Offered on request