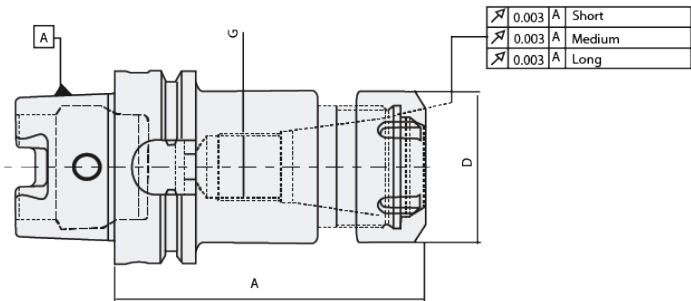


# ER Type Collet Chuck DIN 6499



Fine balanced holders

Balanced for G6.3 @ 8,000 rpm

Taper Size	Specification	Collet Type	Range	D	A	G	Coolant Supply	Kg
HSK-A50	CCH-HSK-A50-ER16M-80	ER16M	1-10	22	80	M10	Form "AD"	0.9
	CCH-HSK-A50-ER20-95	ER20	1-13	34	95	M12	Form "AD"	1.0
	CCH-HSK-A50-ER25-95	ER25	2-16	42	95	M16	Form "AD"	1.05
	CCH-HSK-A50-ER32-100	ER32	2-20	50	100	M22X1.5	Form "AD"	0.85
HSK-A63	CCH-HSK-A63-ER16M-100	ER16M	1-10	22	100	M10	Form "AD"	1.3
	CCH-HSK-A63-ER20-100	ER20	1-13	34	100	M12	Form "AD"	1.3
	CCH-HSK-A63-ER25-100	ER25	2-16	42	100	M16	Form "AD"	1.7
	CCH-HSK-A63-ER32-100	ER32	2-20	50	100	M22X1.5	Form "AD"	2.3
	CCH-HSK-A63-ER40-120	ER40	3-26	63	120	M22X1.5	Form "AD"	2.7
	CCH-HSK-A63-ER16M-160	ER16M	1-10	22	160	M10	Form "AD"	1.2
	CCH-HSK-A63-ER20M-160	ER20M	1-13	28	160	M12	Form "AD"	1.2
	CCH-HSK-A63-ER25M-160	ER25M	2-16	35	160	M16	Form "AD"	1.7
	CCH-HSK-A63-ER32-160	ER32	2-20	50	160	M22X1.5	Form "AD"	2.3
	CCH-HSK-A63-ER40-160	ER40	3-26	63	160	M22X1.5	Form "AD"	2.8
HSK-A100	CCH-HSK-A100-ER20-100	ER20	1-13	34	100	M12	Form "AD"	2.5
	CCH-HSK-A100-ER25-100	ER25	2-16	42	100	M16	Form "AD"	2.7
	CCH-HSK-A100-ER32-100	ER32	2-20	50	100	M22X1.5	Form "AD"	2.9
	CCH-HSK-A100-ER40-120	ER40	3-26	63	120	M22X1.5	Form "AD"	2.3
	CCH-HSK-A100-ER25-160	ER25	2-16	42	160	M16	Form "AD"	3.2
	CCH-HSK-A100-ER32-160	ER32	2-20	50	160	M22X1.5	Form "AD"	3.5

- Please order coolant tube separately
- Includes : Clamping nut & adjusting screw
- G2.5 @ 15,000 rpm on request

## Spare Parts & Accessories



ER-Collet  
Page No. 20



Wrench  
Page No. 21



Clamping Nut  
Page No. 23